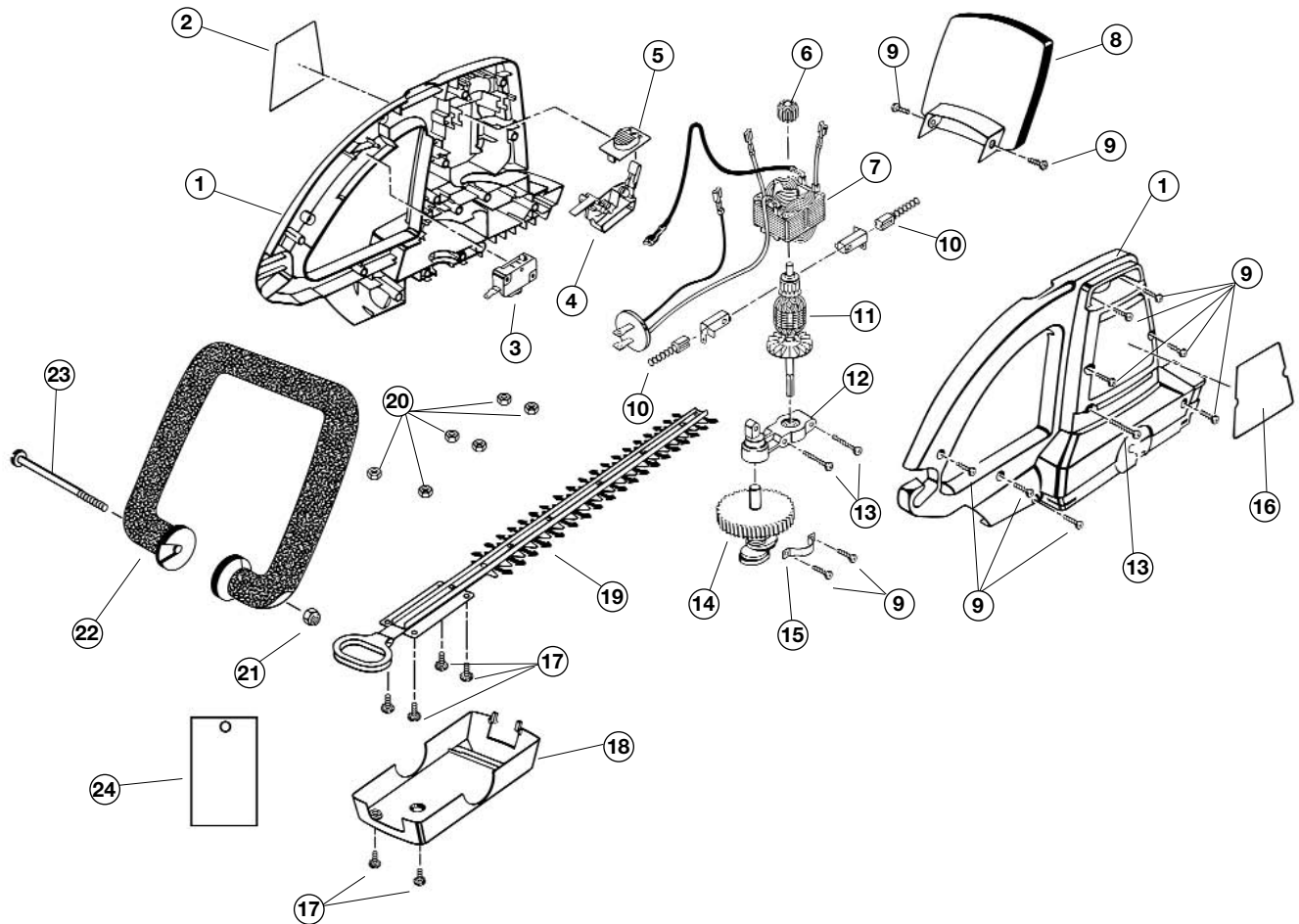


REPLACEMENT PARTS - MODEL HT920Dr / HT924 Dr DUAL ACTION HEDGE TRIMMER

(Serial Number 101000000 and greater)



Item	Part No.	Description	Item	Part No.	Description
1	182853	Housing Assembly	13	182864	Screw (8-16 X 1-1.25" Plastite)
2A	182854	Logo Plate HT920	14	182865	Gear Assembly
2B	182873	Logo Plate HT924	15	182866	Bearing Strap
3	182855	Switch	16A	182867	Data Plate HT920
4	182856	Switch Trigger Assembly	16B	182874	Data Plate HT924
5	182857	Lock-On Button	17	181827	Screw (8-32 X 1/2" Pan Hd. with Lock Patch)
6	182858	Heat Sink with Bearing	18	180440	Blade Cover
7	182859	Field and Disc Assembly	19A	182570	20 inch Blade Assembly
8	180436	Blade Guard	19B	182622	24 inch Blade Assembly
9	181345	Screw (8x16 3/4 PlasT20)	20	181843	Hex Nut (8-32)
10	182860	Brush Assembly	21	180050	Hex Nut (1/4-20)
11	182862	Armature	22	180445	Front Handle
12	182863	Bearing Plate with Bearings	23	180048	Screw (1/4-20 X4.25" Rd. Hd.)
			24	182645	Inspection Tag